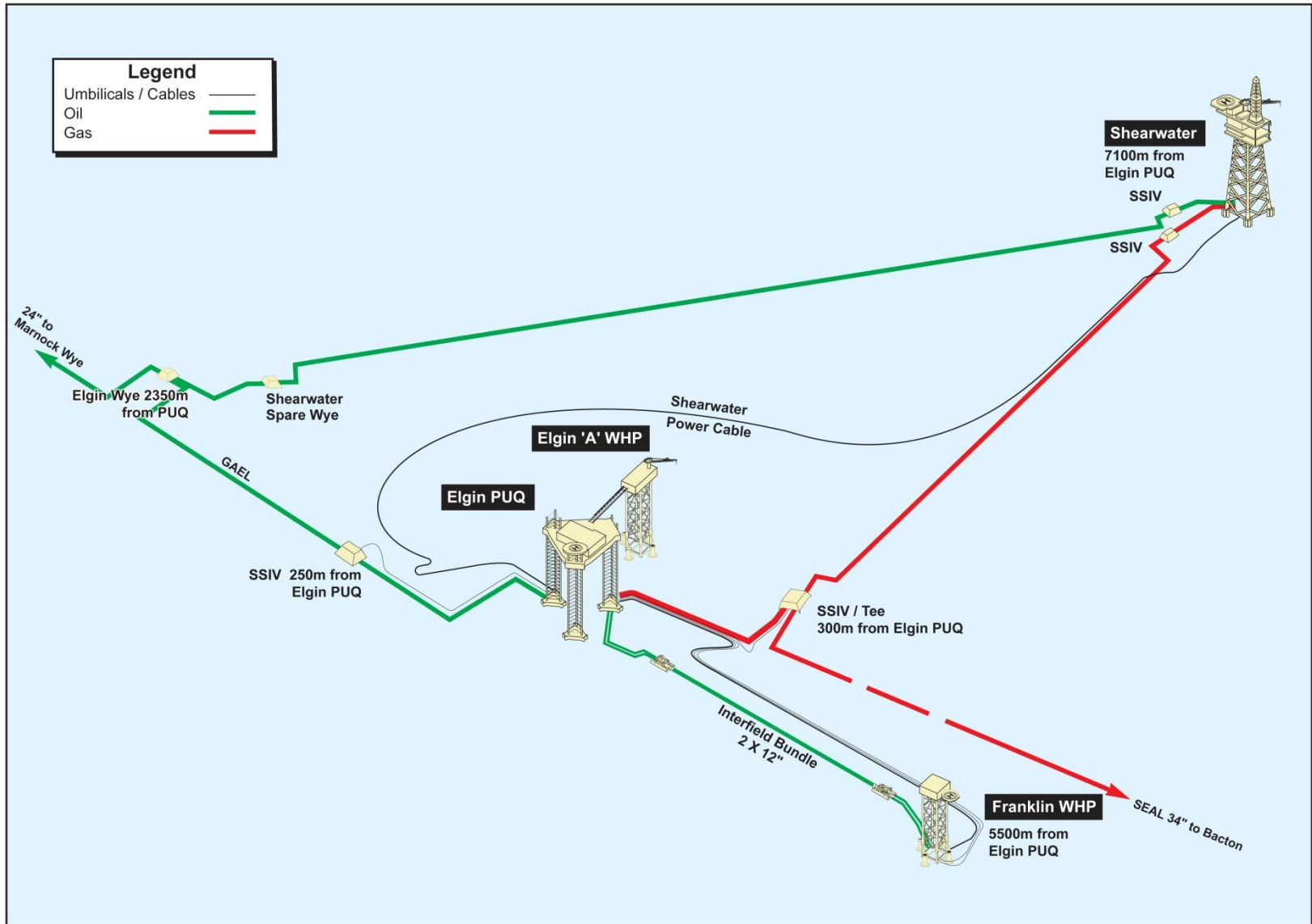


Elgin Gas Leak

**Press Conference
Aberdeen, 30 March 2012**



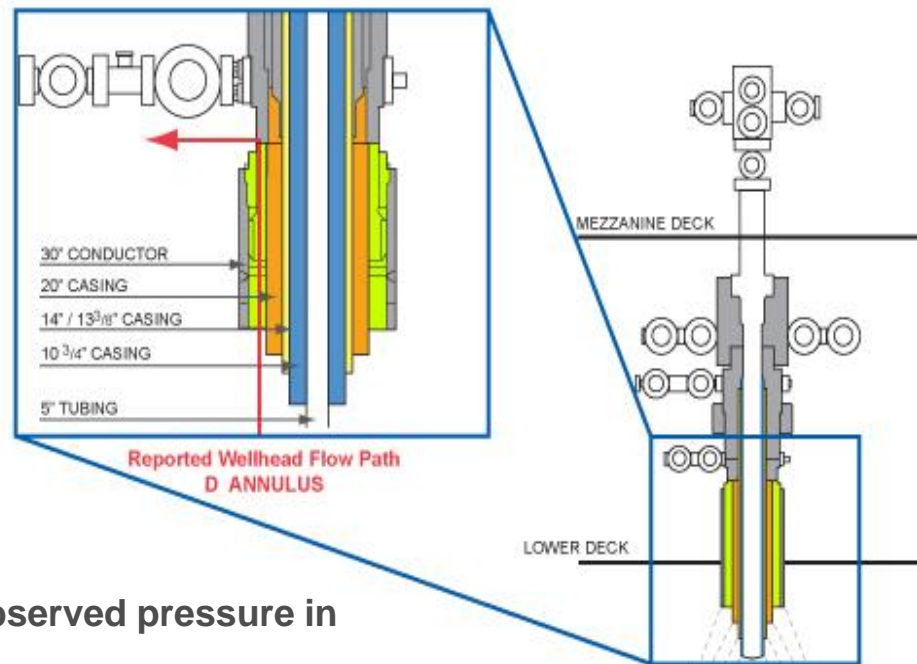
Elgin / Franklin Pipeline System



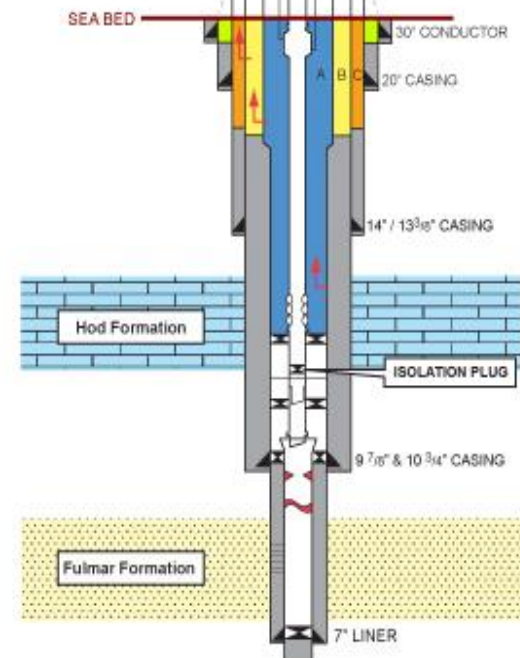


TOTAL

22/30c-G4 Well history



- 25 February 2012 : Observed pressure in annuli.
- Decision made to kill annuli followed by plug and abandonment of well.
- 4 March 2012: started killing operations on G4.
- 25 March 2012: During killing operations with 2.05 SG mud, we believe C annulus failed and gas is leaking from the 30" conductor.
- 25 March 2012: Down-manned safely Rig and PUQ. Mobilised well specialists and response team.





U.K.C.S. - Central North Sea - Elgin Field Elgin Area Concept Showing Well 22/30c-G4

